



PowerPal™ Ride-On Tug

Effortless towing power for safer material movement

The PowerPal™ Ride-On Tug (RT) Series is designed to move up to 20,000 lbs—safely, efficiently, and with minimal effort—delivering compact ergonomic powered transport with smart battery performance and seamless control in any environment.

- Compact, powerful, and versatile rideable tug
- Designed for both indoor and outdoor use
- Built on the proven and dependable PowerPal drive system
- Capable of towing up to 20,000 lb (9,071 kg)
- Available in seated or stand-up models
- Wide variety of hitching options and configurations
- Ideal for flexible, high-capacity towing in a ride-on configuration



Ready to transform your operations? Visit danetechnologies.com



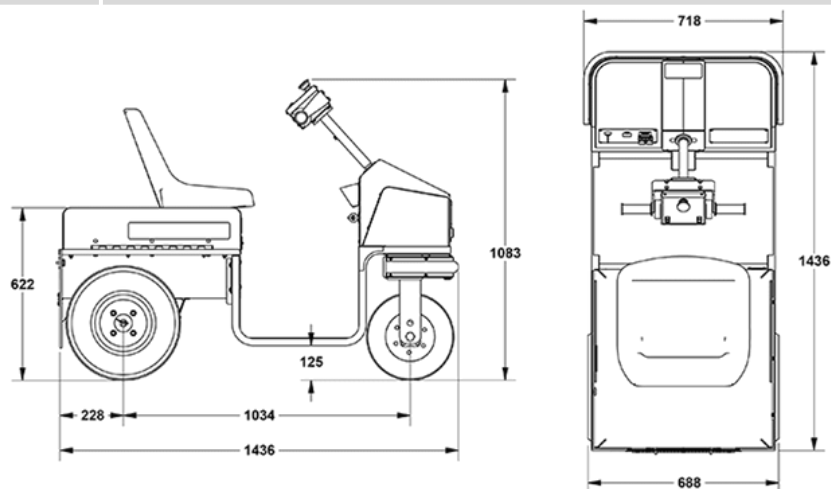
Key Features

- Transport up to 20,000 lbs
- Ride-on configuration (seated or stand-up)
- Compact, ergonomic design
- Custom hitching for carts, bins & trailers
- Emergency stop & safety horn
- Indoor/outdoor use
- Co-Pilot VGV option for autonomous operation

Base Product Specs

(CONFIGURABLE TO MEET FACILITY NEEDS)

| | |
|------------------------|--|
| Towing Capacity | Standard: Up to 18,400 lbs (8,346 kg) HD: Up to 20,000 lbs (9,072 kg) |
| Battery | Standard: Standard 3 Group 31 Maintenance-Free Deep Cycle HD: 12 hours continuous use on one charge |
| Charging System | Standard: On Board 16 amp @36 VDC Series-balanced Smart Charger HD: Automatic shut off, maintenance charge mode, & battery life maximizer |
| Controls | Forward/reverse throttle, emergency brake, visual/audible alerts |
| Motor | Standard 1.38 HP 4-pole (1000W) CM HD: 2.0 HP 4-Pole (1120W) |



Ready to transform your operations? Visit danetechnologies.com